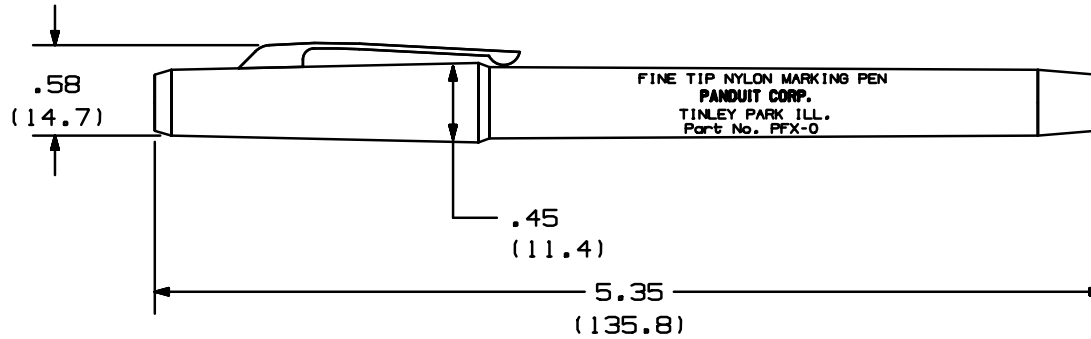


THIS COPY IS PROVIDED ON A RESTRICTED BASIS AND IS NOT TO BE USED IN ANY WAY DETRIMENTAL TO THE INTERESTS OF PANDUIT CORP.

PANDUIT PART NO.	COLOR
PFX-0	BLACK
PFX-2	RED



NOTES:

- FOR USE ON NYLON MARKER TIES AND MARKER PLATES.

										CAD FILENAME/LAYERS SS_27146.PRT						
										PANDUIT CORP. TINLEY PARK, ILLINOIS						
										FINE TIP NYLON MARKING PEN PFX-0 PFX-2						
										UNLESS OTHERWISE SPECIFIED, DIMENSIONAL TOLERANCES ARE: (.X) ± (.XXX) ± (.XX) ± ANGLES ±		UNLESS OTHERWISE SPECIFIED, ALL DIMENSIONS ARE GIVEN IN INCHES, THIRD ANGLE PROJECTION.				
										DRAWN BY KET		MAT'L:		SCALE NONE		
										DATE 5/26/98		DRAWING NO. SS-27146		DWG A		
										CHK'D				SIZE		
REV	DATE	BY	CHK	DESCRIPTION			ECN	-	R	CUST	SUP					
R	5/26/98	KT		DRAWING RELEASED			27146		R							